

Catering

Depth 715 mm

Cabinet Master 1200 lt 0°+10°C 4 half doors

Code: **A120/4N**

Model: **A141201004**

Exterior/interior finishing:

- Stainless steel AISI 304 18/10
- Back in galvanised steel

Insulation:

- 75 mm thickness - CFC/HCFC free

Cover evaporator:

- Removable in stainless steel AISI 304 Cr-Ni 18/10

Internal racks and slides:

- Stainless steel AISI 304 18/10

Inner corners:

- Rounded corners ensuring maximum hygiene

Feet:

- Stainless steel AISI 304 adjustable 100-150 mm

Door:

- Self-closing, reversible with 105° dwell

Door handle:

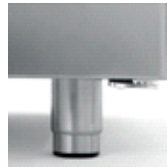
- Stainless steel AISI 304 Cr-Ni 18/10

Door gasket:

- Magnetic, easy to replace



Constructional data



• Dimensions	1480×715×2085 mm
• Packing dimensions	1500×750×2250 mm
• Net weight	190 Kg
• Gross capacity	1200 lt
• Temperature range	0°+10°C
• Cooling capacity	668 W*
• Standard connection	230 V - 50 Hz
• Total rate	653 W - 3,6 A
• Cooling gas	R404a
• Standard equipment	N. 6 plastic coated shelves - 530×530 mm Key lock
• *Evap. -10°C cond. 54,4°C	

Features



Plastic coated shelf 530×530 mm
Code O223530530



Pair of slides type C - 505 mm
Code O121150520



Stainless steel coat for shelf 600 w/supports for bottles
Code O263530530



Stainless steel drawer for cabinet Master 600 - H150 mm
Code L313006304



Kit of racks for drawers (cabinets)
Code D615288004



Graphic temperature recorder -10°+40°C
Code O841100020



Kit of 4 swivel and brake castors in stainless steel AISI 304
Code O444000020

Accessories



Cold Line S.r.l. • Via Roma, 324 • 35030 Montemerlo di C.S.C. • Padova - Italy • www.coldline.it • info@coldline.it

In order to constantly offer the best possible products, we reserve the right to make changes on technical specifications without incurring any obligation for equipment previously or subsequently sold.



Catering

Depth 715 mm

Cabinet Master 1200 lt 0°+10°C 4 half doors

Coldline made major investments in design research, becoming a leader in technology and innovation. Each cabinet marked with the FSSsymbol is equipped with a refrigeration system independent of the structure, which provides improved flexibility and service.



FSS • FAST SERVICE SYSTEM

- You can change the intended use of an appliance, a freezer into a chiller - and the other way around - even after years of installation.
- You can extend the life of a refrigeration cabinet by replacing its old refrigeration system with a new one.
- Maintenance and service are simple, quick and do not require specialised personnel.

FSS • Fast Service System

NO-COMPROMISE QUALITY STEEL

AISI 304

AISI 304 18/10 is a high quality steel. Its stability guarantees good-looking and durable products, ensuring maximum hygiene and corrosion resistance over time.

75 mm

INSULATION THICKNESS

The 75 mm thick insulation ensures lower heat loss, reduced work of the compressor, therefore lower energy consumption.

INTELLIGENT DEFROST



Intelligent defrost changes according to the actual presence of frost. The system runs for the minimum time required.

EVAPORATION SYSTEM



The automatic evaporation of condensing water is activated only in the presence of water produced as a result of a defrost cycle.

CONSTANT TEMPERATURE



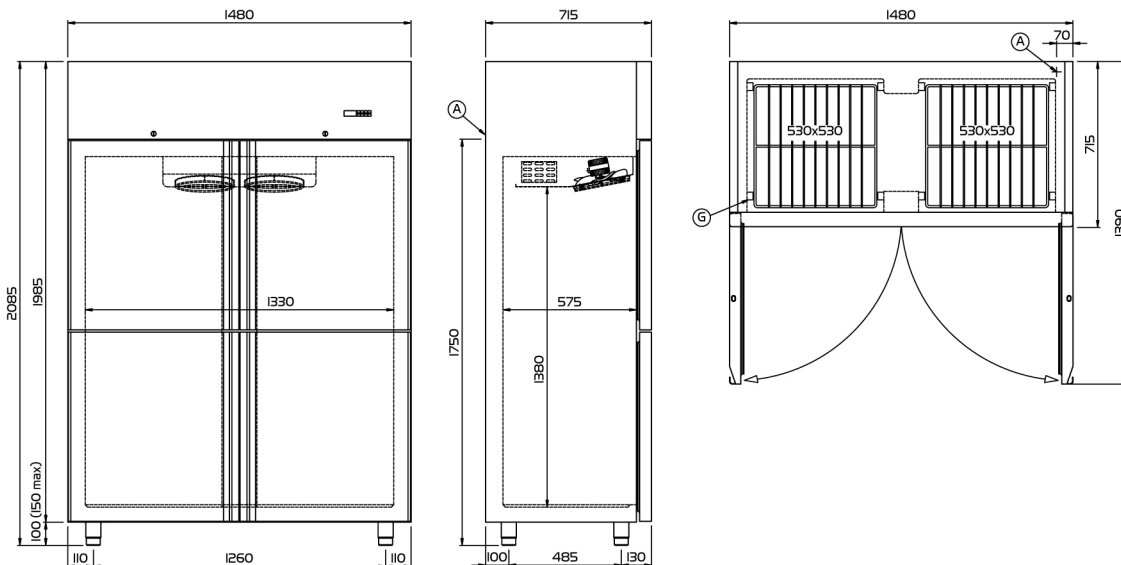
The fans stop when the door is opened to reduce temperature changes and consequently reduce the work of the compressor.

ASPERA COMPRESSORS



Aspera compressors reduce energy consumption by 15% and acoustic impact by 5 dBA.

Focus



(A) POWER SUPPLY CABLE OUTLET

(G) RACKS PITCH



Technical drawing

