

SLM - Baroque SLM Showcases



Compact solutions for limited areas...
With its slim form design, SLM Showcases can easily fit into your smallest areas...



Limitli alanlarınız için KOMPAKT çözümler...
İnce yapılı tasarımı ile SLM Vitrinleri, mekanınızdaki en dar alanlara bile kolaylıkla sığacak...



Baroque SLM narrow sides
Barok SLM dar kenarlar



Illuminated front panel
Işıklandırılmış ön panel



Improved display angle
Geliştirilmiş sunum açısı



Different color alternatives
Farklı renk alternatifleri



Special Features

- SLM comes in 3 different sizes.
- With its 6, 7 and 8 pan alternative sizes, it can fit your smallest spaces and can even be placed in your kitchen.

Temel Özellikler

- SLM 3 farklı boyutta geliyor..
- 6, 7 ve 8 küvetli alternatif boyutları ile, en dar alanlarınıza bile kolayca sığar. Mutfağınıza bile kolayca yerleştirilebilir.



Special Features

- Baroque SLM is the slim gelato showcase of the Baroque family.
- With the improved display angle, it is the best solution to add gelato alternative to your Baroque system.
- Baroque SLM is fully compatible for all Baroque models, with its different capacity alternatives...

Temel Özellikler

- Barok SLM, Barok ailesinin ince yapılı dondurma vitrinidir.
- Özel ürün sunum açısı ile, Barok sistemlerine dondurma alternatifini de eklemek isteyenler için idealdir...
- Barok SLM, farklı boyutlarda alternatifleri ile tüm Barok modellerine tam uyumludur...



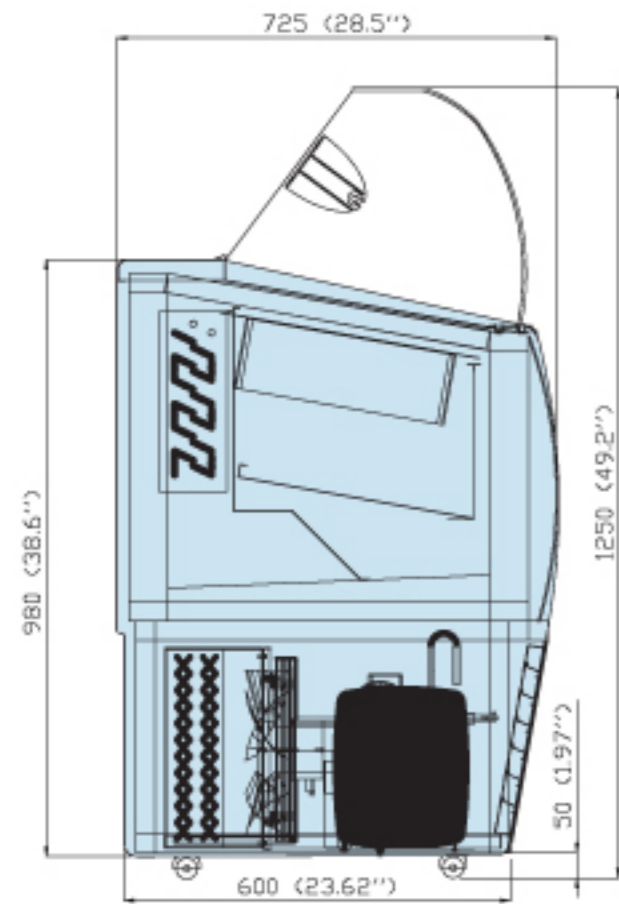
TECHNICAL SPECIFICATIONS
SLM SHOWCASES

		SLM-6 G	SLM-7 G	SLM-8 G
LENGTH	Millimeters	1240	1410	1600
	Inches	48.8"	55.5"	63"
DEPTH	Millimeters	724	724	724
	Inches	28.5"	28.5"	28.5"
HEIGHT	Millimeters	1250	1250	1250
	Inches	49.2"	49.2"	49.2"
WEIGHT	Net Kg.	182	202	212
	Gross / Brut Kg.	251	277	290
CAPACITY OF PANS		6 x 5 Lt.	7 x 5 Lt.	8 x 5 Lt.
		4 x 7 Lt.	14 x 7 Lt.	5 x 7 Lt.
POWER OF COMPRESSORS		630W	700W	782W
REFRIGERANT		R404a	R404a	R404a
RUNNING TEMPERATURE AT %60 RELATIVE HUMIDITY		-18/-22C 0F/-7.6F	-18/-22C 0F/-7.6F	-18/-22C 0F/-7.6F
POWER SUPPLY		220V/1/50-60Hz	220V/1/50-60Hz	220V/1/50-60Hz
		400V/3/50-60Hz	400V/3/50-60Hz	400V/3/50-60Hz
COMPRESSOR TYPE		Hermetic	Hermetic	Hermetic
REFRIGERATION SYSTEM		Forced Air Ventilated	Forced Air Ventilated	Forced Air Ventilated
DEFROSTING		Automatic	Automatic	Automatic
DEFROSTING TYPE		Hot Gas + Resistance	Hot Gas + Resistance	Hot Gas + Resistance

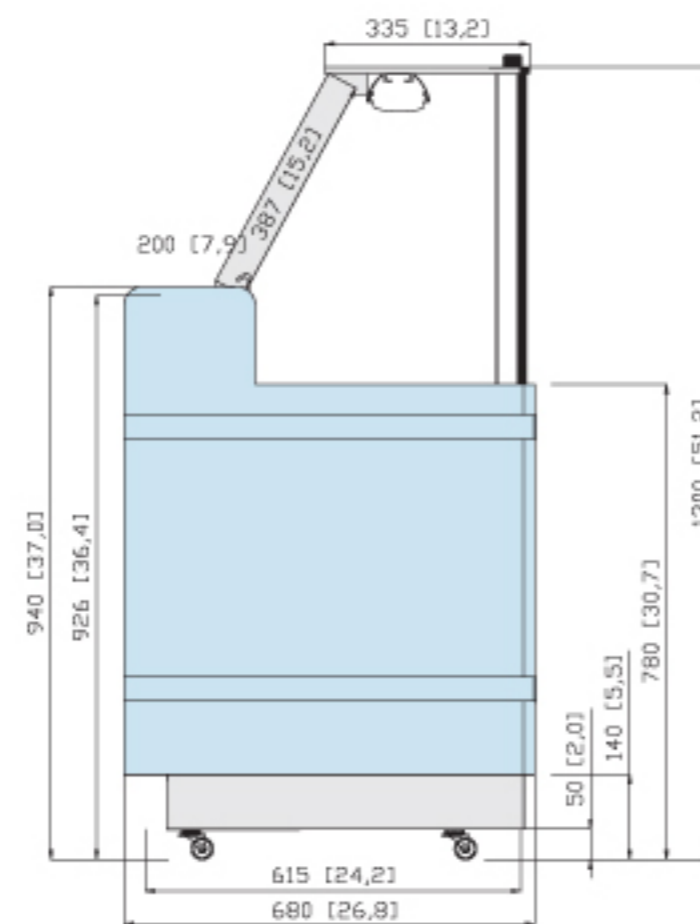
TECHNICAL SPECIFICATIONS
BAROQUE SLM SHOWCASES

		BSLM-6 G	BSLM-7 G	BSLM-8 G	BSLM-10 G
LENGTH	Millimeters	1195	1375	1555	1950
	Inches	47"	54.1"	61.2"	76.8"
DEPTH	Millimeters	680	680	680	680
	Inches	26.77"	26.77"	26.77"	26.77"
HEIGHT	Millimeters	1300	1300	1300	1300
	Inches	51.2"	51.2"	51.2"	51.2"
WEIGHT	Net Kg.	182	202	212	255
	Gross / Brut Kg.	251	277	290	340
CAPACITY OF PANS		6 x 5 Lt.	7 x 5 Lt.	8 x 5 Lt.	10 x 5 Lt.
		4 x 7 Lt.	14 x 7 Lt.	5 x 7 Lt.	7 x 7 Lt.
POWER OF COMPRESSORS		630W	700W	782W	1130W
REFRIGERANT		R404a	R404a	R404a	R404a
RUNNING TEMPERATURE AT %60 RELATIVE HUMIDITY		-18/-22C 0F/-7.6F	-18/-22C 0F/-7.6F	-18/-22C 0F/-7.6F	-18/-22C 0F/-7.6F
POWER SUPPLY		220V/1/50-60Hz	220V/1/50-60Hz	220V/1/50-60Hz	220V/1/50-60Hz
		400V/3/50-60Hz	400V/3/50-60Hz	400V/3/50-60Hz	400V/3/50-60Hz
COMPRESSOR TYPE		Hermetic	Hermetic	Hermetic	Hermetic
REFRIGERATION SYSTEM		Forced Air Ventilated	Forced Air Ventilated	Forced Air Ventilated	Forced Air Ventilated
DEFROSTING		Automatic	Automatic	Automatic	Automatic
DEFROSTING TYPE		Hot Gas + Resistance	Hot Gas + Resistance	Hot Gas + Resistance	Hot Gas + Resistance

SLM SHOWCASE SIDE VIEW



BAROQUE SLM SHOWCASES TOP VIEW



SEVEL
SHOWCASE



International Sales
Tel: +90 232 853 88 49 - Fax: +90 232 853 88 50
sevel@superonline.com - info@sevel.com.tr
www.sevel.com.tr

Sevel USA, LLC
15534 W.Hardy Road Suite #170 Houston, TX 77060
Tel: 1-281-272 14 00 - Fax: 1-281-272 16 11
www.sevelusa.com

Hömak Soğutma Kabinleri
San. ve Tic. Ltd. Şti.
Balkan Cad. No:6 35875 Torbalı - İZMİR - TURKEY
Türkiye Satış: Tel: +90 232 237 07 16 - 265 43 42
Faks: +90 232 237 57 55

İstanbul Showroom
19 Mayıs Mah. 19 Mayıs Cad. No:19
Şişli - İSTANBUL - TURKEY
Tel: +90 212 291 95 32 - Fax: +90 212 291 44 93

SEVEL reserves the right to make changes on the color and model of the products displayed.
SEVEL katalogdaki ürünlerin renk ve modellerinde haber vermeden değişiklik yapma hakkını saklı tutar

SEVEL
SHOWCASE



SLM Showcases